
项目名称

T30-P2033

版本号

V1.0

设计时间

2021/02/07

物料名称

说明书（俄版）

设计师

张琴

审核



批准



料号

材质工艺要求

150g 哑粉纸封面，80g 哑粉纸内页，胶装

颜色及专色

CMYK 四色印刷

尺寸要求

140mm*210mm

Dreame
Cordless Vacuum Cleaner
User Manual
Руководство пользователя
Беспроводной пылесос
Dreame

Safety Instructions

To prevent accidents including electric shock or fire caused by improper use, please read this manual carefully before use and retain it for future reference.

Warning

This product can be used by children aged from 8 years and above and persons with physical, sensory, intellectual deficiencies, or limited experience or knowledge under the supervision of a parent or guardian to ensure safe operation and to avoid any risk of hazards. Cleaning and maintenance shall not be made by children without supervision.

The vacuum is not a toy. Children shall not play with or operate this product. Please exercise caution when using the vacuum near children. Do not allow children to clean or maintain the vacuum unless supervised by a parent or guardian.

Do not use the vacuum outdoors or on wet surfaces. Only use the vacuum on dry indoor surfaces. Do not touch the plug or any part of the vacuum with wet hands.

To reduce the risk of fire, explosion, or injury, check to make sure the lithium battery and charging adapter are undamaged before use. Do not use the vacuum if either the lithium battery or charger is damaged.

The smart multi-brush bar, mini electric brush, battery, carbon fiber rod, and vacuum are electrically conductive and should not be immersed in water or other liquid. Make sure to dry all filters after cleaning.

Prevent injury caused by moving parts. Turn off the vacuum before cleaning the smart multi-brush bar. The smart multi-brush bar, dust cup and filter must all be properly installed before using the vacuum.

Only use the original charging adapter. Never use an unoriginal adapter, as this may cause the lithium battery to catch fire.

Do not use the vacuum to pick up flammable or combustible liquids, such as gasoline, or bleach, ammonia, drain cleaners or other liquids.

Do not use the vacuum to pick up sharp or hard objects, such as glass, nails, screws, or coins, which may damage the machine. Do not use the vacuum to pick up drywall particles, ashes like fireplace ash, or smoking or burning materials such as coal, cigarette butts, or matches.

Check the area to be cleaned before use. To prevent the openings from being blocked, clear the larger paper, spitball, plastic cloth or sharp objects (such as glass, nails, screws, coins, etc.) and any object which is larger than openings.

Keep hair, loose clothing, fingers and other parts of the body away from the vacuum's openings and moving parts. Do not point the hose, wand or tools at your eyes or ears or put them in your mouth.

Do not put any object into the vacuum's openings. Do not use the vacuum with any opening blocked. Keep free of dust, lint, hair, or other items which may reduce airflow.

Do not rest the vacuum against a chair, table, or other unstable surface, as this may cause damage to the machine or personal injury.

If the vacuum becomes damaged or is otherwise malfunctioning, please contact our authorized service department. Never attempt to disassemble the device on your own.

All instructions in the manual for recharging the battery must be strictly followed. Failure to properly charge the battery within the specified temperature range could damage the battery.

Make sure the vacuum is unplugged when not used for extended periods as well as prior to performing any maintenance or repairs.

Please be extra careful when using the vacuum to clean stairs.

Do not install, charge, or use this product outdoors, in bathrooms, or around a pool.

Fire Hazard Warning: Do not apply any type of fragrance to the vacuum's filter. These types of products are known to contain flammable chemicals which may cause the vacuum to catch fire.

This product is designed for home use only.

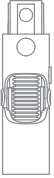
Only use the original charger (Model ZD024M340090EU/ZD024M340090AU).

Only use the approved battery type (Model P2033-8S1P-PAA).

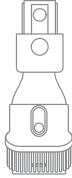
We Dreame Trading (Tianjin) Co., Ltd., hereby, declares that this equipment is in compliance with the applicable Directives and European Norms, and amendments. The full text of the EU declaration of conformity is available at the following internet address: www.dreame-technology.com

Product Overview

Accessories



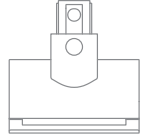
Flexible Adapter



2-in-1 Brush Nozzle



Soft Dusting Brush



Mini Electric Brush



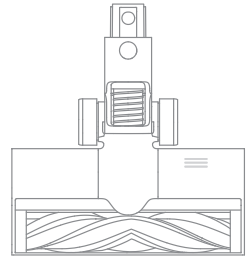
Carbon Fiber Rod



Extension Hose



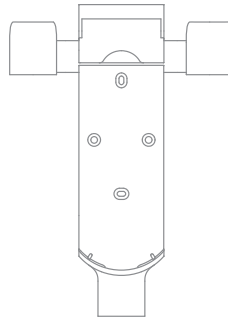
Charger



Smart Multi-Brush Bar



LED Crevice Nozzle

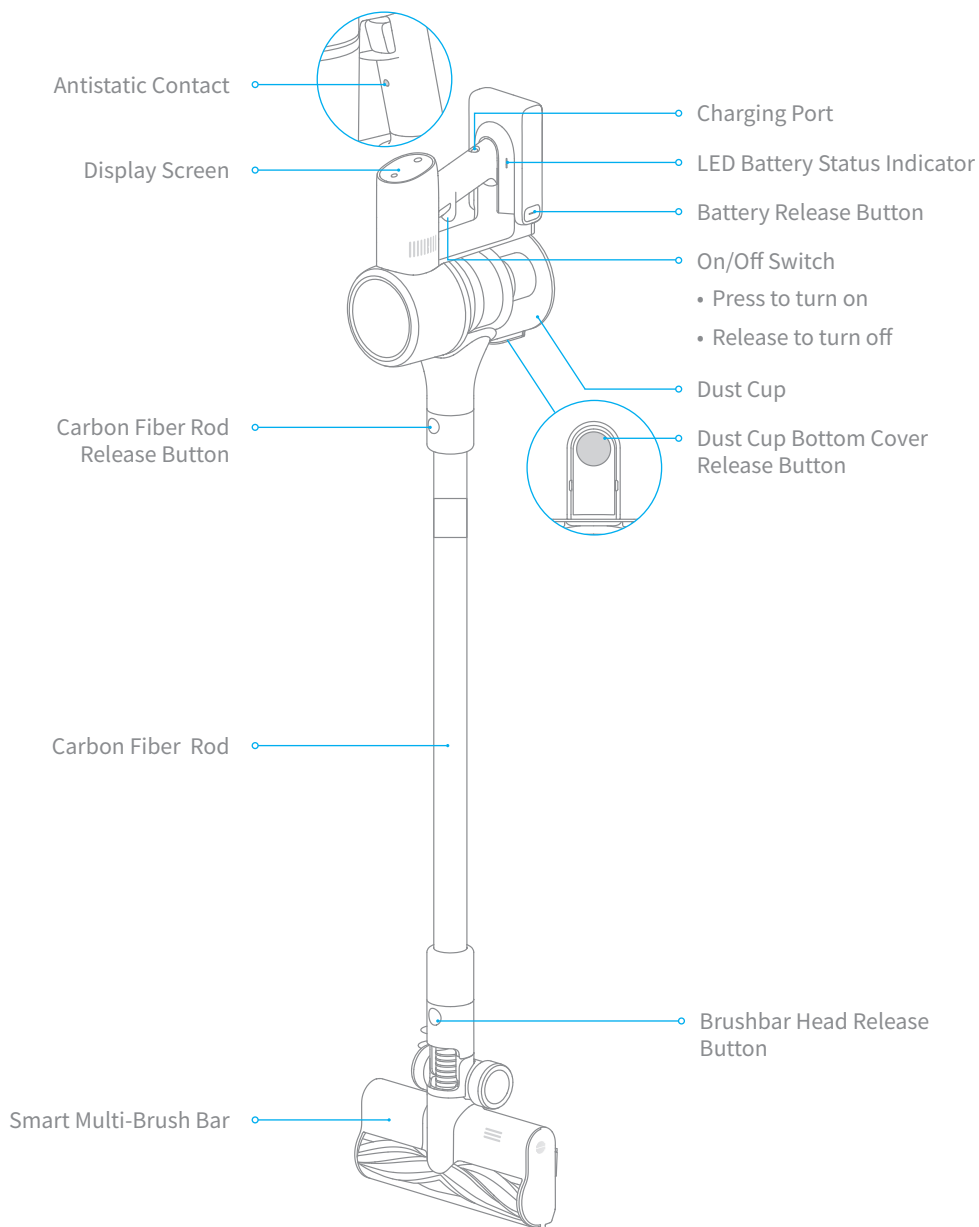


2-in-1 Charging & Storage Mount
(Including screws ×2,
wall plugs ×2, and
mounting template
sticker)

Note: The images in this manual are for illustrative purposes only. The actual product may differ.

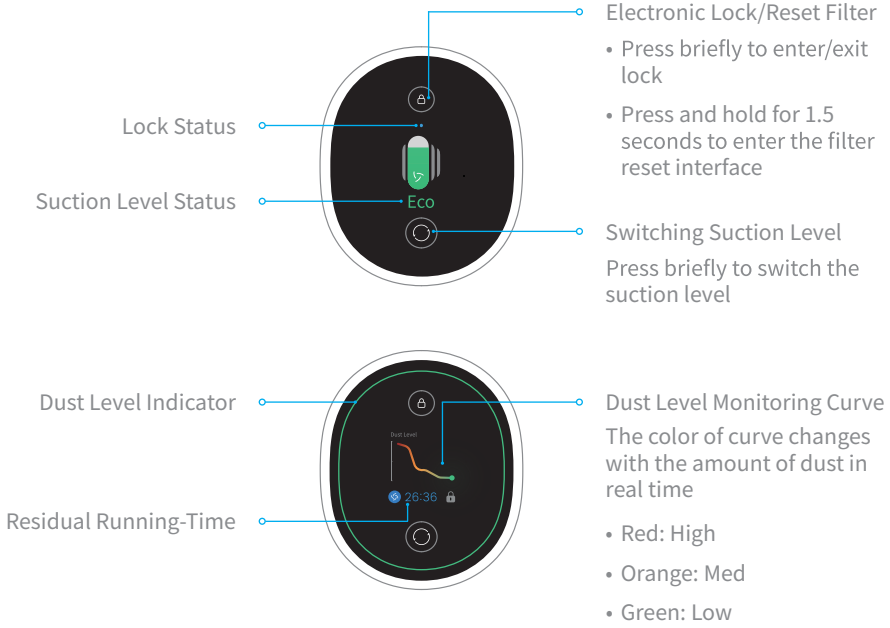
Product Overview

Component Names



Product Overview

Introduction of Display Screen



Note:

- The color of dust level indicator changes with the amount of inhaled dust.
- Residual time is for reference only and it may be different from the actual time.

Installation

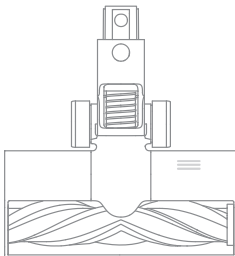
Vacuum Installation Diagram



Click

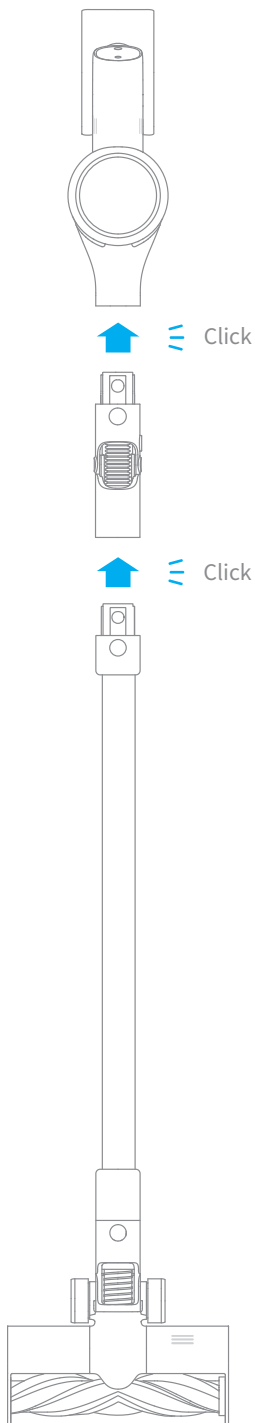


Click



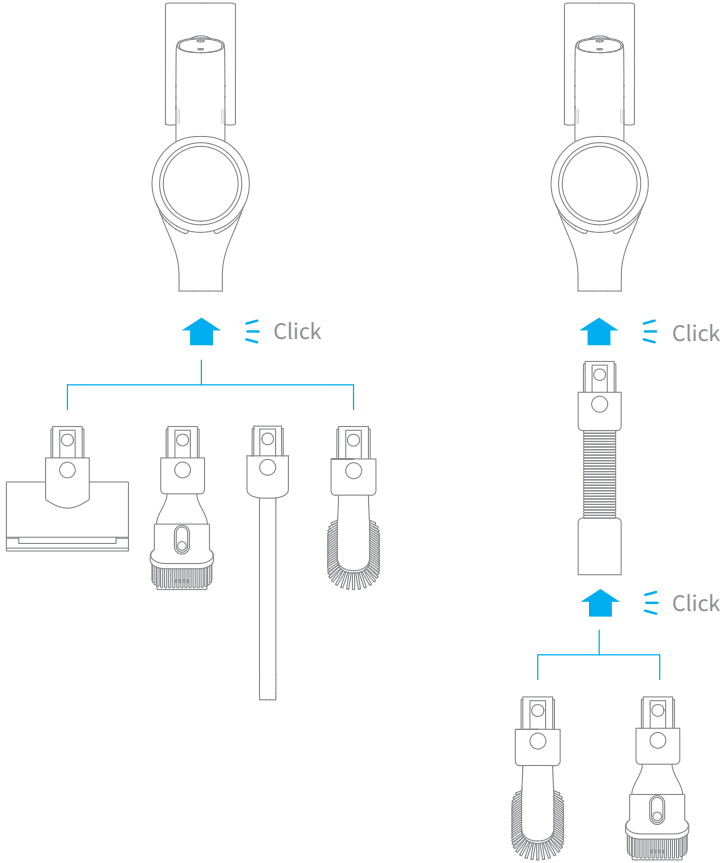
Installation

Accessories Installation Diagram



Installation

Accessories Installation Diagram



2-in-1 Charging & Storage Mount Installation Diagram

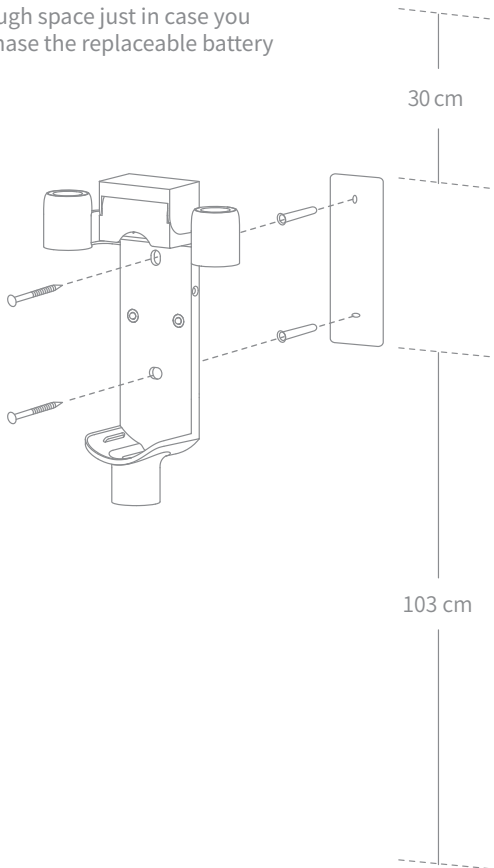
(The 2-in-1 charging & storage mount is an optional accessory. You can install it based on your needs.)

Note:

The 2-in-1 charging & storage mount should be installed in a cool, dry place with an electrical outlet nearby. Prior to installing, ensure that there are no electrical wires or pipes in the space directly behind where the mount will be installed.

1. The bottom of the mounting template sticker should be level and at least 103cm from the ground. The top should have at least 30cm* of clearance above it.
2. Use a power drill with an 8mm drill bit to drill a hole into each marker on the mounting template sticker, then insert a wall plug into each hole.
3. Align the locating holes on the mount with the holes on the wall. Fasten it to the wall with the included screws.

*30cm: Leave enough space just in case you may need to purchase the replaceable battery in the future.



Charging

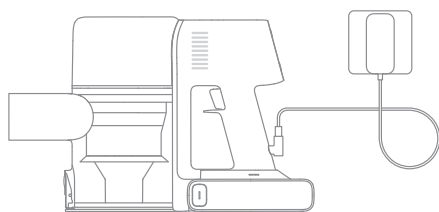
Fully charge the vacuum before using it for the first time.

Note:

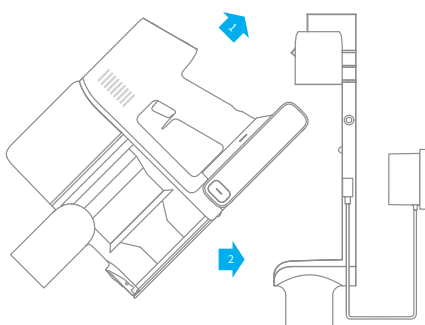
- A full charge will take approx. 4 hours.
- Vacuuming in Turbo Mode for a prolonged period will cause the battery to heat up, which increases charging time. Allow the vacuum to cool down for 30 minutes before charging it.

Charging Methods

Charging the vacuum with the charger



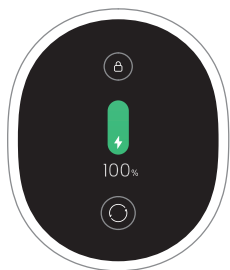
Charging the vacuum on the charging mount



Battery Status Display

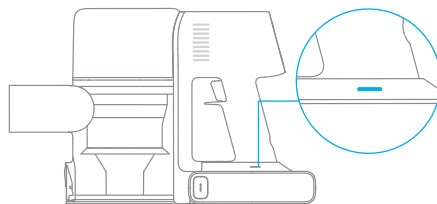
Display Screen

The number on the display screen represents the current battery level in a percentage during charging. When the number becomes 100, the battery is fully charged.






LED Battery Status Indicator

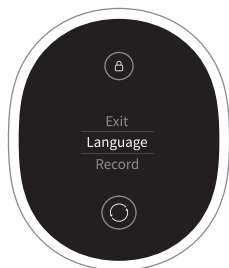
When charging, the indicators blink white. When the charging is completed, the indicators keep solid white.






Note: Once the vacuum is fully charged, the indicator will turn off after 5 minutes, and the vacuum will enter energy-saving mode.

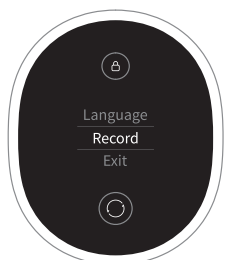
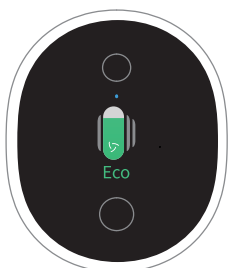
Setting Language

Press and hold the button  for 3 seconds to enter the menu interface. Click the button to switch to "Language". Press the button for 1 second to enter the language selection interface. Click  to scroll through the language list, select a language, and then press  and hold for 3 seconds to save your setting.




Cleaning Record


Press and hold the button  for 3 seconds to enter the menu interface. Click the button  to switch to "Cleaning Record" and press the button  for 1 second to enter the cleaning record interface. Then you will see the cleaning record of the last 7 days.



Note:

- The display screen will return to the main page if there is no operation for more than 15 seconds.
- To exit the menu interface, click the button  to select "Exit".

Switching Suction Level

Press the button  to switch between four suction levels of auto, eco, med and turbo. The corresponding suction level will be highlighted on the display screen.

The color of dust level indicator changes with the amount of inhaled dust. When the smart multi-brush bar is attached, the vacuum will automatically switch the suction level between the floor/tile and the carpet.

Note: Stop the vacuum at any time while cleaning. It will continue to use the last selected suction level when starting again.

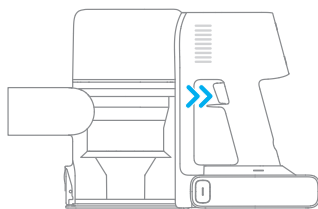
Working Methods

Select from two working methods for the vacuum, which can be selected based on your own needs.

When the vacuum is running, it will monitor the amount of inhaled dust within 1 second. The amount of dust will be displayed by the color of the dust level monitoring curve on the screen in real time.

Method 1: Discontinuous Cleaning Mode

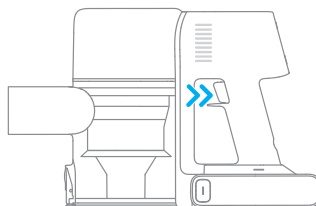
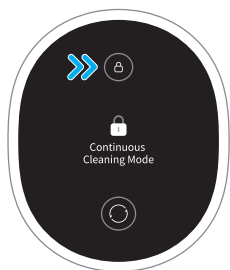
Press and hold the switch of the vacuum to enable this mode, and release it to stop immediately.



Method 2: Continuous Cleaning Mode (Electronic Lock)

Click the electronic lock key to switch to Continuous Cleaning Mode, and then briefly press the on/off switch to keep the vacuum in Continuous Cleaning Mode.

Use the electronic lock to free your fingers from fatigue caused by holding the switch.



Note:

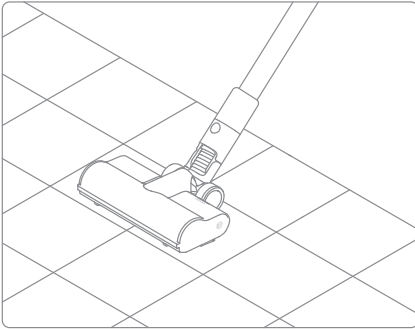
- In this mode, briefly press the on/off switch to suspend the operation or start again and the working mode of the vacuum will not change.
- Click the electronic lock again to quit Continuous Cleaning Mode.

Using Different Accessories

Smart Multi-Brush Bar

For cleaning floors such as marble, tile, and low pile carpet. When Auto Mode is activated, the vacuum will automatically adjust its suction level depending on the surface type.

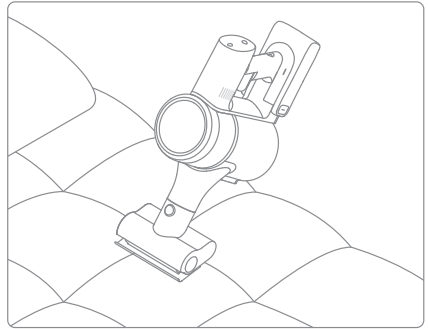
Note: The smart multi-brush bar can be attached directly to the vacuum.



Mini Electric Brush

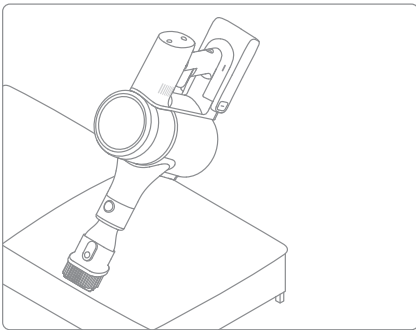
For vacuuming dirt, pet hair, and other stubborn debris from sofas, bedding, and other fabric surfaces.

Note: It is not recommended to vacuum on fragile surfaces, such as silk.



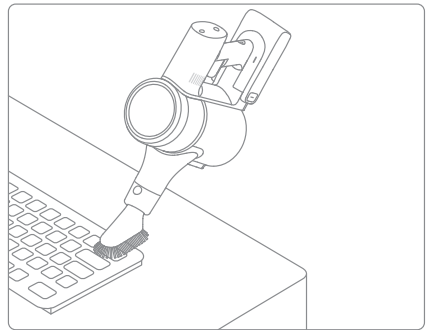
2-in-1 Brush Nozzle

For vacuuming dust from curtains, keyboards, ceilings, sofas, vehicle interiors, coffee tables, etc.



Soft Dusting Brush

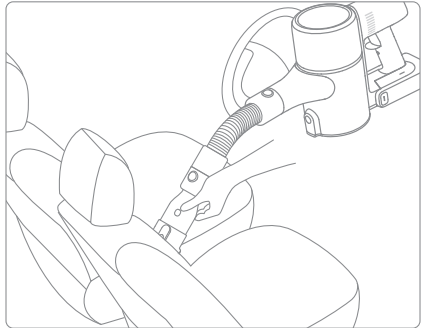
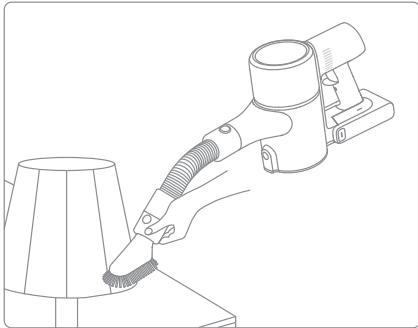
Suitable for vacuuming on LCDs, keyboards, lampshades, curtains, shutters and other surfaces of fragile objects.



How to Use

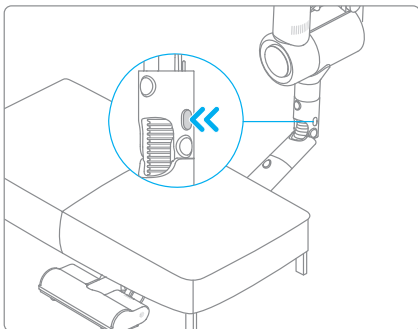
Extension Hose

It is suitable for vacuuming the corners that are not easily accessible such as drawers, cars interior, and in the bottom of sofa when used with soft dusting brush or 2-in-1 brush nozzle.



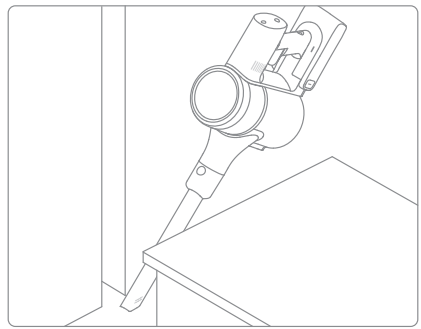
Flexible Adapter

Bending and extending the rod with one click can easily reach under low-lying furniture, such as bed and sofa.



LED Crevice Nozzle

The nozzle is equipped with a thin suction opening and LED light. It is suitable for vacuuming the debris in the narrow places.



Note:

- If any rotating part becomes stuck, the vacuum may shut off automatically. Remove any trapped objects so the device can function normally.
- When the battery becomes overheated, the vacuum will automatically shut off. Wait until the battery temperature returns to normal, then the vacuum will work normally.

Tips:

1. Always use genuine parts to keep your warranty from becoming void.
2. If the filter or nozzle becomes clogged, the vacuum will stop working shortly after being turned on. To restore normal functions, clean the filter and/or nozzle.
3. If the vacuum is not be used for an extended period, fully charge it, unplug its charger, and store it in a cool, low-humidity environment away from direct sunlight. To avoid over-discharging the battery, recharge the vacuum at least once every three months.

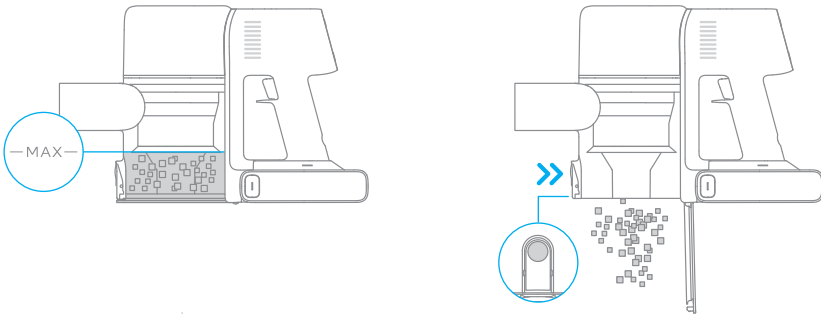
Cleaning the Vacuum

Wipe the vacuum with a soft dry cloth.

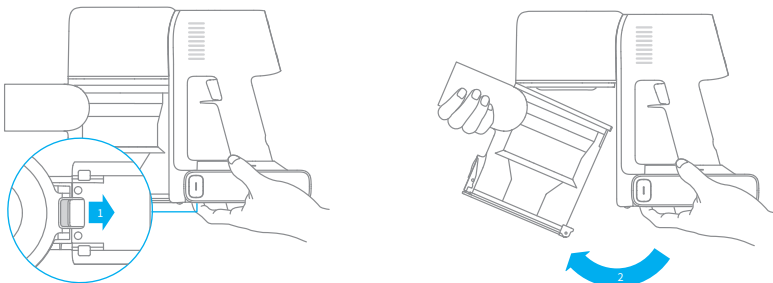
Cleaning the Dust Cup, Pre-Filter, and Cyclone Assembly

The vacuum's cleaning ability will be reduced if the dust cup is filled to the "MAX" mark. To regain performance, empty the dust cup in a timely manner. Before emptying the cup, make sure the vacuum is disconnected from the power, and do not press its power button.

1. Press the dust cup bottom cover release button, then empty the contents.

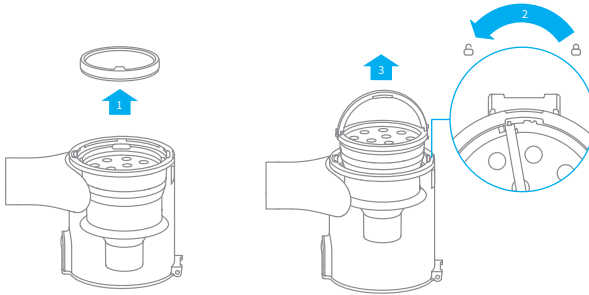


2. Push the dust cup release switch in the direction indicated by the arrow, then gently remove the dust cup from the vacuum.

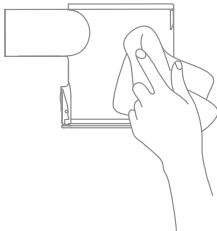


Care & Maintenance

3. Remove the pre-filter first, then lift the handle of the cyclone assembly and turn it counterclockwise until it stops, then pull to lift out the cyclone assembly.

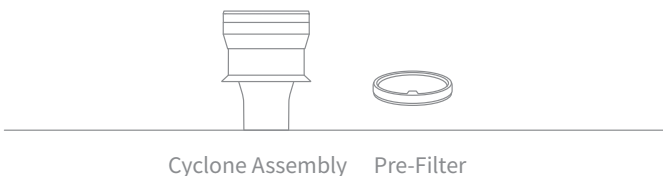


4. Wipe the dust cup with a soft wet cloth. Pay attention to wring out the discloth before using.



To reduce the risk of electric shock, do not rinse the dust cup with water.

5. Rinse the cyclone assembly and pre-filter until they are clean. After washing, air dry for at least 24 hours.

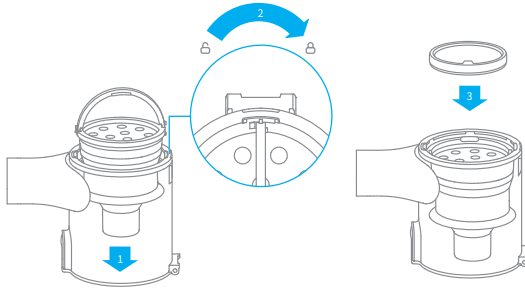


Cyclone Assembly Pre-Filter

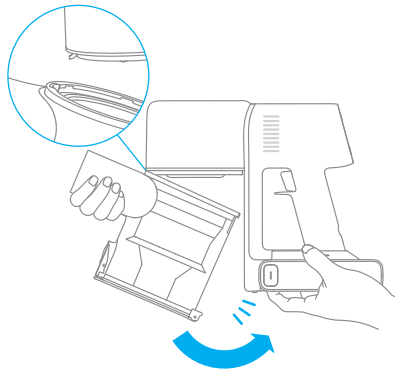
Note: It is recommended to clean the pre-filter at least once every 3 months and the cyclone system at least once every 6 months.

Installing the Dust Cup, Pre-Filter, and Cyclone Assembly

1. Insert the cyclone assembly vertically into the dust cup, and make sure that the handle of the cyclone assembly line up with the slot on the left side of the dust cup. Turn the handle clockwise until it locks, then flip the handle down.
2. Place the pre-filter with its front side facing up into the cyclone assembly.



3. Slightly tilt the dust cup so its slot aligns with the clip on the vacuum. Then gently push the dust cup until it clicks into place.

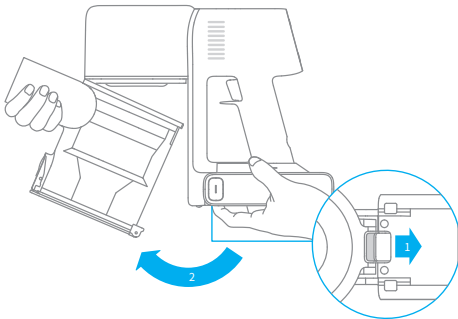


Care & Maintenance

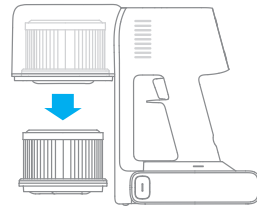
Cleaning the HEPA Filter

It is recommended to clean the HEPA filter once every 4 to 6 months.

1. Remove the dust cup as shown in the figure.



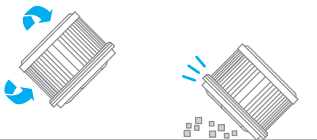
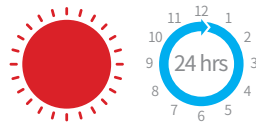
2. Remove the HEPA filter from the vacuum by pulling it down in the direction shown in the figure.



3. Clean the HEPA filter with clean water. Make sure you rotate the HEPA filter 360° to thoroughly and remove all dust caught in the filter. Lightly tap the filter several times to remove any excess dirt.



4. Allow the HEPA filter to air dry for 24 hours.

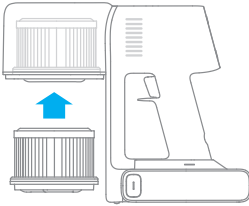


Note:

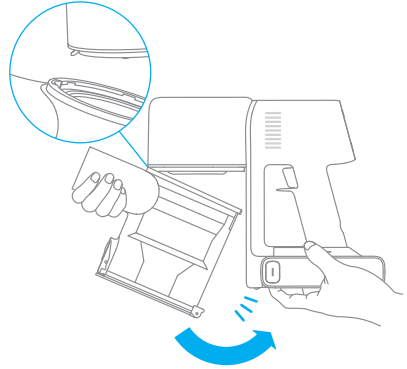
- Only use clean water to wash the filter. Do not use detergent.
- Do not attempt to clean the HEPA filter with a brush or finger.

Installing the HEPA Filter

1. Insert the HEPA filter into the vacuum and gently press down, as illustrated.



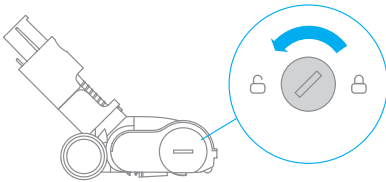
2. Reinstall the dust cup.



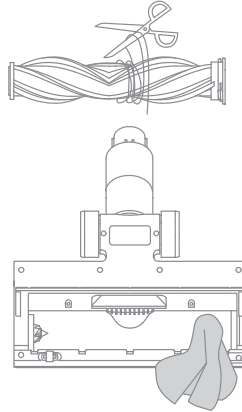
Care & Maintenance

Cleaning the Smart Multi-Brush Bar

1. Turn the lock counterclockwise until it stops, then remove the roller brush from the smart multi-brush bar.



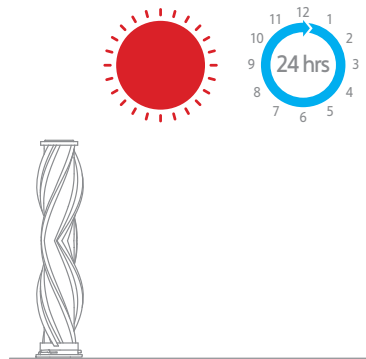
2. Use scissor to cut off the hairs and fibers that get stuck on the brush bar head. Wipe the dust from the notch and transparent cover with a dry cloth or paper towel. Thoroughly dry before use.



3. When it is dirty, rinse the roller brush with clean water until it is clean.



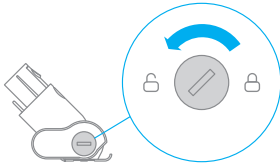
4. Stand the roller brush upright for at least 24 hours until it is fully dry.



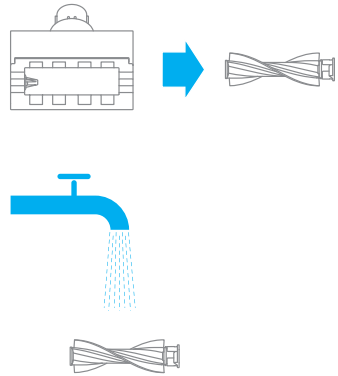
Care & Maintenance

Cleaning the Mini Electric Brush

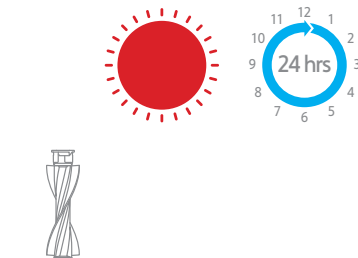
1. Use a coin as illustrated to rotate the lock counterclockwise until you hear a click.



2. After unlocking the mini roller brush, remove it from the mini electric brush, then rinse and clean the brush head.



3. Stand the mini roller brush upright in a well-ventilated area for at least 24 hours until it is fully dry.



4. Once the mini roller brush is dry, reinstall it by following the disassembly steps in reverse.

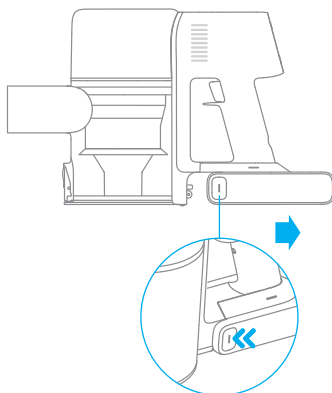


Care & Maintenance

Battery Pack

The vacuum contains a removable rechargeable lithium-ion battery pack which has a limited number of recharge cycles. After extended use, the battery pack may no longer hold a charge. If this happens, it means the battery pack has reached the end of its life cycle and needs to be replaced.

1. Press down the battery pack release button and slide the battery pack to the right, as illustrated, to remove it.
2. Install the new battery pack.



Specifications

Vacuum Cleaner			
Model	VTT1	Charging Voltage	34 V \approx
Rated Power	550 W	Rated Voltage	29.6 V \approx
Charging Time	Approx. 4 hours	Battery Capacity	2900 mAh (Nominal Capacity)
Smart Multi-Brush Bar			
Model	ASF5		
Rated Power	40 W	Rated Voltage	29.6 V \approx
Mini Electric Brush			
Model	VPA3		
Rated Power	20 W	Rated Voltage	29.6 V \approx
Charger			
Model	ZD024M340090EU/ZD024M340090AU		
Input	100 - 240 V ~ 50-60 Hz, 0.8 A max	Output	34 V \approx 0.9 A
Rechargeable Lithium-Ion Battery Pack			
Model	P2033-8S1P-PAA	Battery Capacity	2900 mAh (Nominal Capacity)
Nominal Voltage	29.6 V \approx	Energy	81.4 Wh







The lithium-ion pack contains substances that are hazardous to the environment. Before disposing of the vacuum, please remove the battery pack, then discard or recycle it in accordance with local laws and regulations of the country or region it is used in.

If the vacuum is not working properly, please refer to the table below.

Errors	Possible Causes	Solutions
Vacuum does not work.	Vacuum is out of battery or low on power.	Fully charge the vacuum, then continue to use it.
	Overheat protection mode triggered by a blockage.	Clean the suction openings or air duct. Wait until the vacuum cools down, then reactivate it.
	The suction opening or air duct is blocked.	Clear any blockage from suction opening or air duct.
Weak suction force.	Dust cup is full and/or HEPA filter assembly is clogged.	Empty the dust cup and clean the HEPA filter assembly.
	Attachment is blocked.	Clear any blockage in the attachment.
Motor is making a strange noise.	Main suction opening or carbon fiber rod is blocked.	Clear any blockage in the main suction opening or extension rod.
The battery indicator does not light up when charging.	The charger does not plug into the vacuum well.	Check whether the charger is properly plugged into the vacuum.
	The battery is fully charged and went into sleep mode.	The vacuum can be used normally.
	If the problem persists after ruling out the above two possibilities.	Please contact the after-sales service department for maintenance.
The vacuum charges slowly.	Battery temperature is too low or too high.	Wait until the battery's temperature returns normal, then continue to use the vacuum.

Troubleshooting

If you need to pay attention to any abnormality during the use of the product, a prompt will be shown on the screen. You should follow the instructions on the screen to keep the performance normal.

Error Icon	Error Message	Solutions
	Battery overheating	Please wait and continue to use after motor temperature is normal.
	Roller brush stuck	Refer to the maintenance guide [Cleaning the Smart Multi-Brush Bar] section to clean the fiber material and hairs wrapped around the roller brush.
	Air duct blocked	Check whether the dust cup, carbon fiber rod, and smart multi-brush bar are blocked.
	Error	Please contact the after-sales department for maintenance.
	Low battery	Recharge soon.
	The battery runs out	Recharge soon.
	Filter is expiring	Please replace the filter in time.
	Filter uninstalled	Ensure that the HEPA filter and pre-filter are installed correctly.
	Replace the filter	Refer to the maintenance manual [Cleaning HEPA Filter] section to remove the filter and replace it. After replacing the HEPA filter, press and hold the button  for 1.5 seconds to enter the countdown to reset the HEPA filter, then hold the button for another 5 seconds until  appears on the screen.

WEEE Information



All products bearing this symbol are waste electrical and electronic equipment (WEEE as in directive 2012/19/EU) which should not be mixed with unsorted household waste. Instead, you should protect human health and the environment by handing over your waste equipment to a designated collection point for the recycling of waste electrical and electronic equipment, appointed by the government or local authorities. Correct disposal and recycling will help prevent potential negative consequences to the environment and human health. Please contact the installer or local authorities for more information about the location as well as terms and conditions of such collection points.

Во избежание травм из-за случайного поражения электрическим током или воспламенения в результате неправильной эксплуатации изделия перед началом использования внимательно прочитайте руководство по эксплуатации.

Предупреждение

В целях безопасности данное изделие не должно использоваться лицами с ограниченными физическими или интеллектуальными возможностями и нарушениями в работе органов чувств, а также лицами, не имеющими соответствующего опыта и знаний (включая детей), за исключением случаев, когда изделие используется под наблюдением ответственного лица.

Детям строго запрещено использовать данное изделие по назначению или в качестве игрушки. Будьте крайне осторожны во время использования изделия рядом с детьми. Детям строго запрещено чистить или ремонтировать изделие без контроля взрослых.

Строго запрещено использовать изделие на открытом воздухе или на влажной поверхности. Используйте изделие только на сухой поверхности внутри помещения, не прикасайтесь к штепсельной вилке или любой другой части изделия мокрыми руками.

Во избежание воспламенений, взрывов или травм проверьте литиевый аккумулятор и зарядное устройство на наличие повреждений перед началом использования. Запрещено использовать пылесос, если литиевая батарея или зарядное устройство повреждены.

«Умная» щетка с несколькими насадками, электрическая мини-щетка, аккумулятор, углеволоконная трубка и основной блок пылесоса являются токопроводящими элементами. Не погружайте эти элементы в воду или другие жидкости во время очистки. После ежедневной уборки убедитесь, что все фильтрующие устройства полностью просушены.

Во время очистки «умной» щетки с несколькими насадками выключите основной блок пылесоса, чтобы вращающаяся роликовая щетка не травмировала пользователя. Строго запрещено использовать изделие, если «умная» многофункциональная щетка, контейнер для пыли и фильтр не установлены надлежащим образом.

Используйте только оригинальное зарядное устройство, не используйте иные зарядные устройства, так как это может привести к возгоранию литиевого аккумулятора.

Не используйте изделие для удаления воды, бензина и других легковоспламеняющихся или взрывоопасных жидкостей. Не используйте изделие для удаления токсичных растворов, таких как хлорный отбеливатель, аммиак, средства для очистки канализации, или других жидкостей.

Запрещено использовать пылесос для очистки извести, цемента, гипсового порошка, золы и пепла, больших объемов муки и угольной пыли, а также для удаления дымящихся или зажигательных средств, таких как угли, окурки или спички.

Перед началом эксплуатации проверьте зону для уборки. В случае обнаружения крупных листов бумаги, бумажных шариков, пластиковых или острых предметов

(таких как стекло, гвозди, винты, монеты и т.д.), а также элементов крупнее диаметра коктейльной трубочки удалите их, чтобы избежать засорения всасывающей трубки и нарушения нормальной работы изделия.

Избегайте соприкосновения воздушного отверстия и движущихся элементов изделия с волосами, одеждой, пальцами и другими частями тела. Не направляйте удлинитель и другие детали изделия в сторону глаз, ушей или рта.

Запрещено помещать какие-либо предметы на всасывающее отверстие. Не используйте пылесос, если всасывающее отверстие засорилось. Наличие больших кусков пыли, ваты, волос и других предметов может привести к ослаблению воздушного потока. Своевременно проводите очистку.

Не прислоняйте пылесос к неустойчивым предметам, таким как стулья или столы, чтобы избежать повреждения пылесоса и травмирования пользователя в результате падения пылесоса. В случае повреждения или поломки пылесоса в результате падения обратитесь в официальный сервисный центр. Не разбирайте изделие самостоятельно.

Осуществляйте зарядку в строгом соответствии с инструкциями. В случае неправильной зарядки и превышения указанного диапазона температуры, аккумулятор может быть поврежден.

Извлеките штепсельную вилку перед техническим обслуживанием или ремонтом, а также в случае продолжительного хранения изделия.

Будьте предельно внимательны во время использовании изделия для уборки лестницы.

Не проводите сборку, не заряжайте и не используйте данное изделие на улице, в ванной комнате или вблизи бассейна.

Опасность возгорания: не наносите какие-либо ароматизаторы на фильтр данного изделия, так как химические вещества, содержащиеся в таких жидкостях, легко воспламеняются и могут привести к возгоранию.

Данное изделие подходит исключительно для домашнего использования.

Используйте только оригинальное зарядное устройство (модель ZD024M340090EU/ZD024M340090AU). Несоблюдение этого правила может привести к возгоранию литиевого аккумулятора.

Используйте только аккумуляторы модели P2033-8S1P-PAА. Несоблюдение этого правила может привести к возгоранию литиевого аккумулятора.

Мы, компания Dreame Trading (Tianjin) Co., Ltd., настоящим заявляем, что данное изделие соответствует требованиям всех действующих директив ЕС и европейских стандартов со всеми изменениями и дополнениями. Полный текст декларации о соответствии нормативным требованиям ЕС доступен по адресу: www.dreame-technology.com

Меры предосторожности при хранении и транспортировке:

- Не транспортируйте робот-пылесос при температуре выше 50 °С или ниже -20 °С.
- В течение короткого периода, например одного месяца, пылесос рекомендуется хранить при температуре от -20 до 50 °С и относительной влажности 60 % ± 5 %. В течение длительного времени храните пылесос при температуре окружающей среды от 0 °С до 25 °С.
- Утилизируйте пылесос надлежащим образом. Когда его срок службы подойдет к концу, утилизируйте пылесос в соответствии с местными законами и правилами страны или региона, в котором он используется.

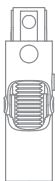
Дату производства см. на этикетке со штрих-кодом.

гарантийный срок: 1 год

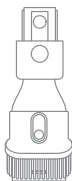
Срок службы: 3 года

Описание изделия

Список аксессуаров



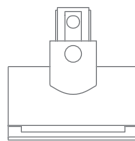
Нижний адаптер



Щетка "2 в 1"



Мягкая щетка для пыли



Электрическая мини-щетka



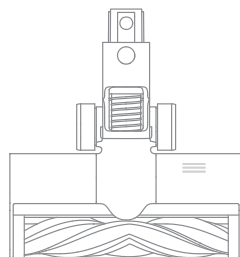
Углеродная трубка



Удлинительная трубка



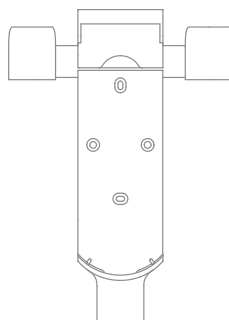
Зарядное устройство



"Умная" многофункциональная щетка



Щелевая насадка LED

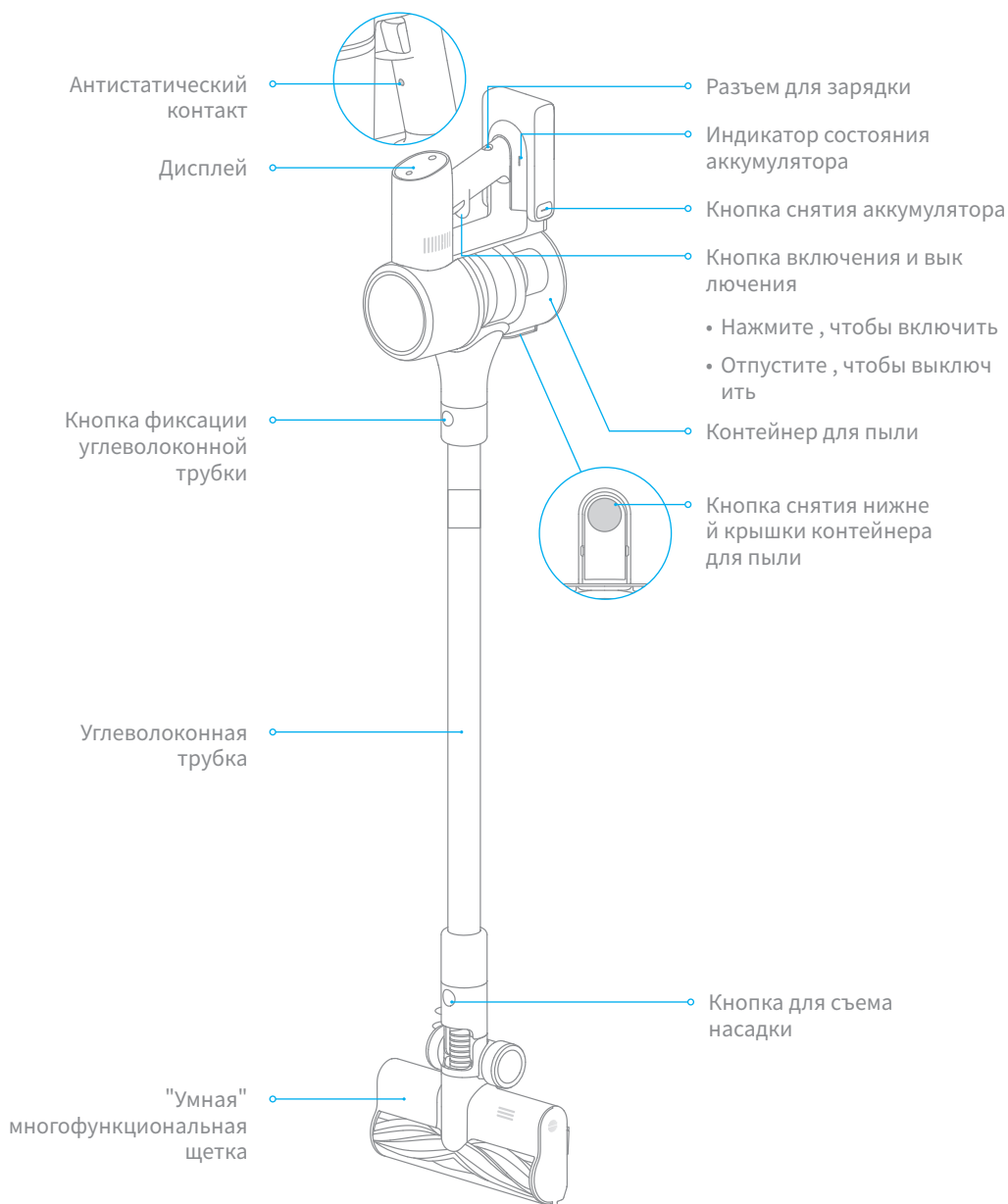


Подставка для зарядки и хранения "2 в 1"
(в комплекте: 2 винта, 2 дюбеля и стикер места фиксации)

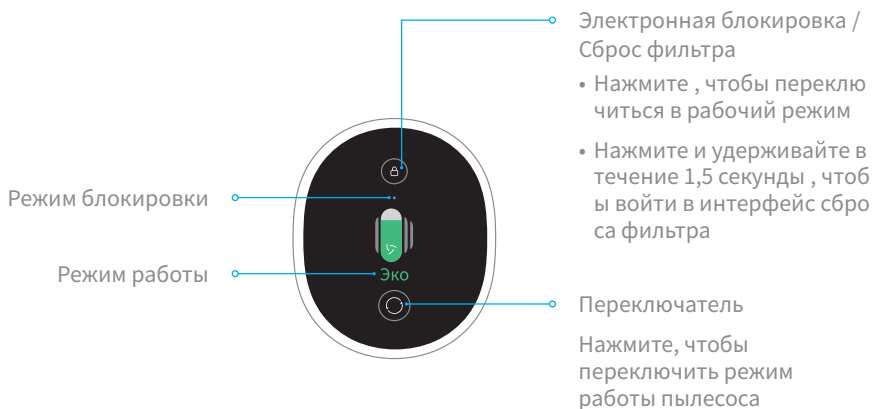
Примечание. Все иллюстрации в данном руководстве приведены исключительно для справки. По внешним параметрам ориентируйтесь на фактический вид изделия.

Описание изделия

Название детали



Описание функций дисплея



Примечание.

- Во время работы пылесоса уровень загрязнения отображается в реальном времени с помощью индикатора объема пыли и кривой контроля уровня пыли.
- Остаток рабочего времени отображается приблизительно для ознакомления и может отличаться от реального времени.

Инструкция по установке и сборке

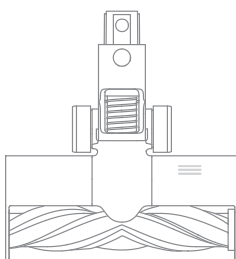
Сборка основного корпуса



Вставьте до щелчка



Вставьте до щелчка



Инструкция по установке и сборке

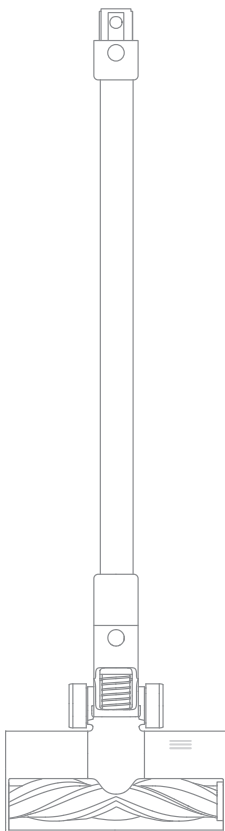
Установка аксессуаров



Вставьте до щелчка

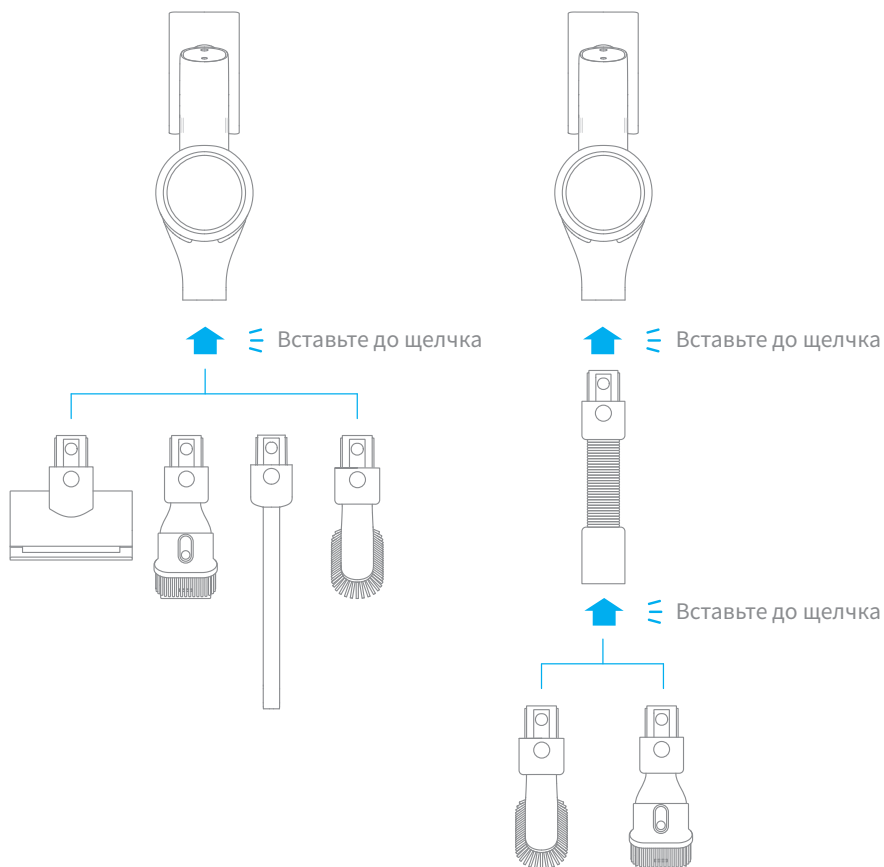


Вставьте до щелчка



Инструкция по установке и сборке

Установка аксессуаров



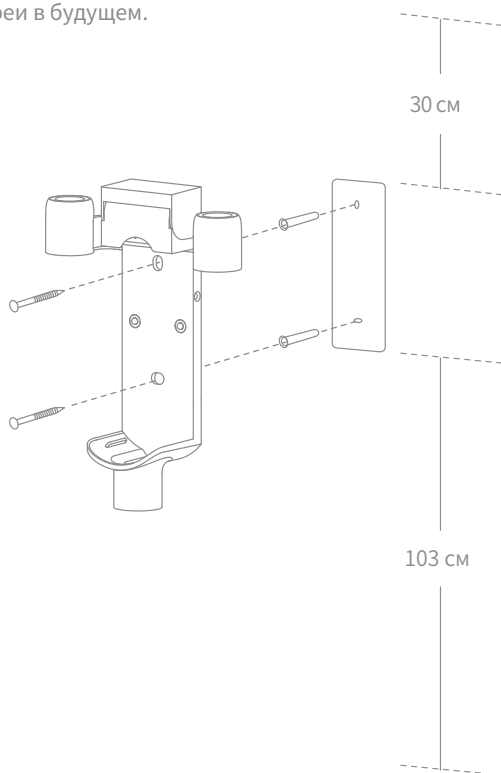
Установка подставки для зарядки и хранения "2 в 1"

(Подставка для зарядки и хранения "2 в 1" — это дополнительный аксессуар, который может быть установлен по необходимости.)

Примечание. Подставку для зарядки и хранения "2 в 1" следует устанавливать в прохладном и сухом месте рядом с электрической розеткой. Перед установкой убедитесь, что непосредственно рядом с местом установки подставки отсутствуют провода и трубки.

1. Наклейте стикер места фиксации на стене параллельно полу на расстоянии не менее 103 см (от нижнего края стикера до пола) и оставьте минимум 30 см* свободного пространства над верхним краем стикера.
2. При помощи перфоратора со сверлом 8 мм просверлите отверстия согласно отметка на стикере и вставьте дюбель в каждое отверстие.
3. Соедините монтажные отверстия на подставке для зарядки и хранения "2 в 1" с отверстиями в стене, а затем прикрутите подставку к стене с помощью прилагающихся винтов.

*30 см: дополнительное место для покупки сменной батареи в будущем.



Зарядка

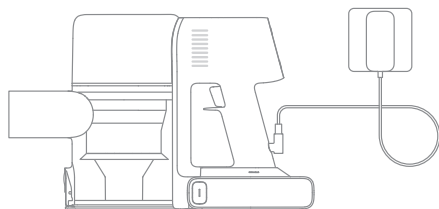
Перед первым использованием зарядите пылесос до полной зарядки.

Примечание.

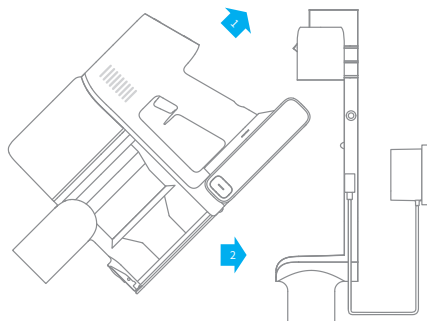
- Первая зарядка займет около 4 часов.
- После безостановочной уборки в режиме Турбо аккумулятор может сильно нагреться, поэтому пылесосу может потребоваться больше времени на подзарядку. Рекомендуется остудить робот в течение 30 минут и затем начать подзарядку.

Режимы зарядки

Зарядка с помощью зарядного устройства



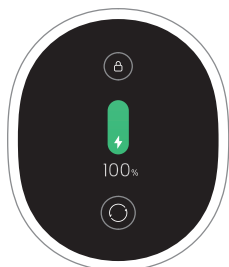
Зарядка с помощью подставки для зарядки



Способы отображения уровня зарядки

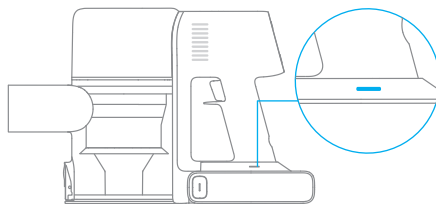
Дисплей

Цифровое отображение уровня заряда на дисплее во время зарядки. Цифра 100 означает, что аккумулятор полностью заряжен.



Индикатор состояния аккумулятора






Во время зарядки аккумулятора индикатор мигает белым. После окончания зарядки мигание индикатора прекратится и загорится белый свет.

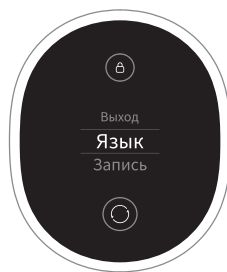
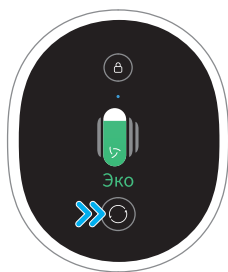


Примечание.




Через 5 минут после окончания зарядки индикатор погаснет, а пылесос перейдет в энергосберегающий режим.

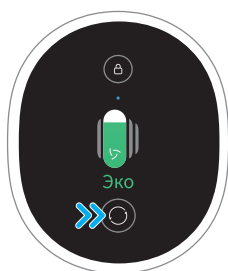
Настройка языка

Удерживайте кнопку  в течение 3 сек., чтобы отображился интерфейс меню, и нажмите , чтобы выбрать опцию выбора языка. Удерживайте кнопку  в течение 1 сек., чтобы перейти в интерфейс выбора языка. Затем нажатием кнопки  пролистайте список языков и выберите необходимый язык, удерживая кнопку  в течение 3 сек.




Журнал уборки

Удерживайте кнопку  в течение 3 сек., чтобы отображился интерфейс меню, и нажмите , чтобы выбрать опцию журнала уборки. Удерживайте кнопку  в течение 1 сек., чтобы перейти в интерфейс журнала уборки и просмотреть историю уборки за последние 7 дней.




Примечание.

- В случае отсутствия действий через 15 секунд экран автоматически вернется на главную страницу.
- Чтобы выйти из меню, нажмите кнопку  и выберите опцию выхода.

Правила эксплуатации изделия

Переключатель

Нажимайте  для переключения 4 режимов всасывания: Автоматическим, Энергосберегающий, Интенсивный и Турбо. Соответствующий режим всасывания отразится на дисплее.

После подсоединения «умной» многофункциональной щетки пылесос сможет автоматически регулировать силу всасывания на паркетном (кафельном) и ковровом покрытиях.

Примечание. В случае прерывания уборки в любом режиме после повторного запуска пылесоса будут автоматически восстановлены последний выбранный режим всасывания.

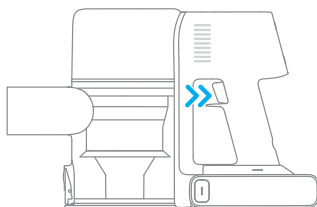
Рабочие режимы

Доступны 2 режима работы робота-пылесоса, которые могут быть выбраны в зависимости от требований к уборке.


В рабочем режиме уборки объем пыли определяется за 1 сек. и отображается в реальном времени на кривой контроля уровня пыли на дисплее пылесоса.

Режим 1: "прерывистая уборка"

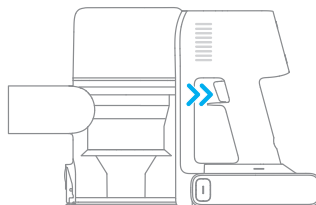
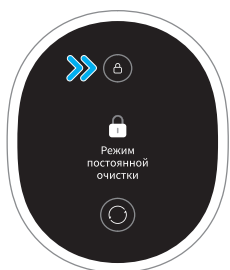
Нажмите и удерживайте переключатель пылесоса, чтобы начать работу, и отпустите его, чтобы немедленно остановить.




Режим 2: "непрерывная уборка"

Нажмите кнопку , чтобы переключиться в режим непрерывной уборки, а затем нажмите переключатель на корпусе, чтобы перевести пылесос в режим непрерывной уборки.

С помощью функции электронной блокировки вы можете не удерживать кнопку переключения постоянно для защиты от усталости.



Примечание.

- В этом режиме нажмите кнопку переключения, чтобы приостановить работу или повторно запустить пылесос без изменения режима работы.
- Повторно нажмите на кнопку  электронной блокировки, чтобы выйти из режима непрерывной уборки.

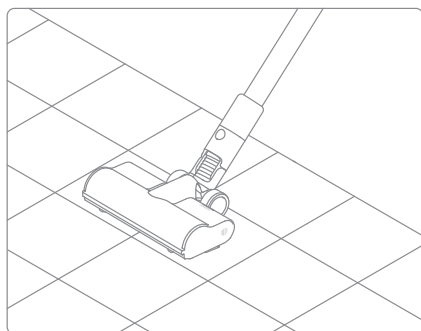
Правила эксплуатации изделия

Сценарии использования аксессуаров

"Умная" многофункциональная щетка

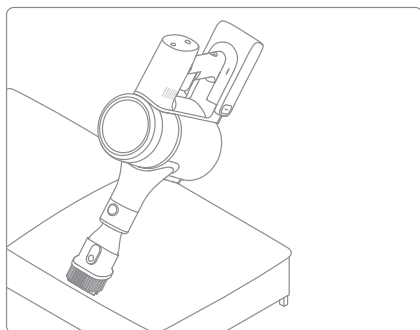
используется для очистки напольных покрытий, например мрамора, плитки и ковров с коротким ворсом. В автоматическом режиме пылесос может автоматически регулировать силу всасывания в зависимости от типа поверхности.

Примечание. "Умная" многофункциональная щетка может крепиться непосредственно на пылесос.



Щетка "2 в 1"

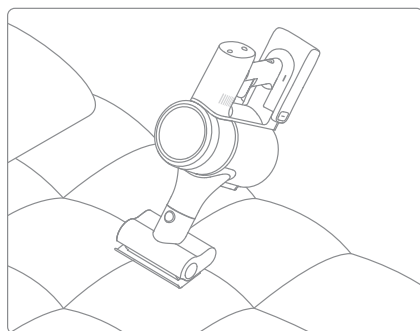
используется для очистки штор, клавиатуры, потолочной плитки, салона автомобиля, кофейных столиков и т. д.



Электрическая мини-щетка

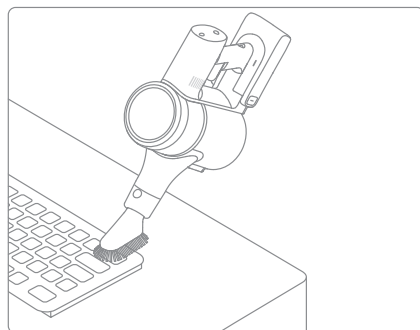
используется для уборки грязи, шерсти животных и других стойких загрязнений на диване, матрасе и других тканевых поверхностях.

Примечание. Не рекомендуется использовать пылесос для уборки поверхностей, на которых могут остаться зацепки и царапины (напр. Шелк).



Мягкая щетка для пыли

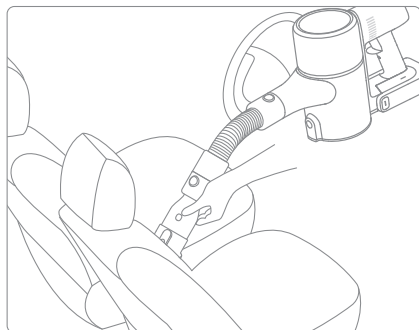
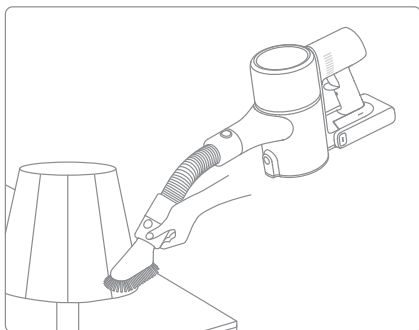
Подходит для очистки жидкокристаллических дисплеев, клавиатур, плафонов, штор, жалюзи и поверхностей других хрупких и ломких предметов.



Правила эксплуатации изделия

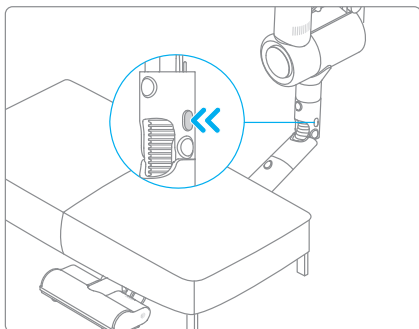
Удлинительная трубка

В сочетании с щеткой «2 в 1» мягкая щетка для пыли подходит для уборки выдвигающихся ящиков, салонов автомобилей, поверхности под диваном и других труднодоступных участков.



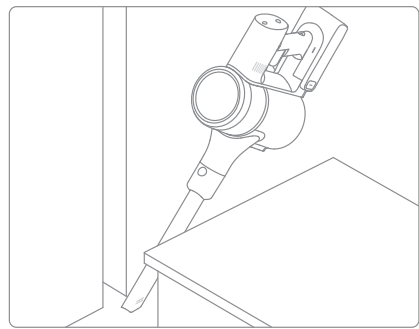
Нижний адаптер

Возможность регулировки длины и направления трубки позволяет проводить уборку под кроватью, диваном и другой низкой мебелью.



Щелевая насадка LED

За счет тонкого всасывающего отверстия и освещения LED-подсветки насадка может глубоко проникать в узкие пространства и тщательно удалять пыль и загрязнения.



Примечание.

- В случае заклинивания какой-либо вращающейся детали пылесос может автоматически отключиться. Уберите застрявшие посторонние предметы и продолжите уборку.
- В случае перегрева аккумулятора пылесос автоматически отключится. Подождите, пока температура аккумулятора нормализуется, а затем продолжите уборку.

Меры предосторожности

1. Используйте оригинальные запчасти, в противном случае гарантийное обслуживание будет недоступно.
2. В случае засорения фильтра, насадки или "умной" многофункциональной щетки робот-пылесос может выключиться сразу после запуска. Очистите засоренные детали перед повторным запуском.
3. Если вы не планируете использовать пылесос в течение длительного периода времени, полностью зарядите его, отключите от розетки и положите на хранение в прохладном месте с низкой влажностью вдали от прямых солнечных лучей. Во избежание избыточной разрядки аккумулятора заряжайте пылесос как минимум раз в три месяца.

Очистка пылесоса

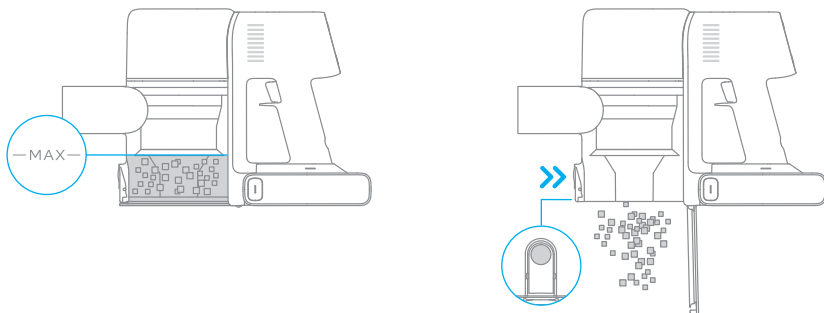
Протрите пылесос мягкой сухой тряпкой.

Очистка контейнера для пыли, фильтра предварительной очистки и циклонного блока

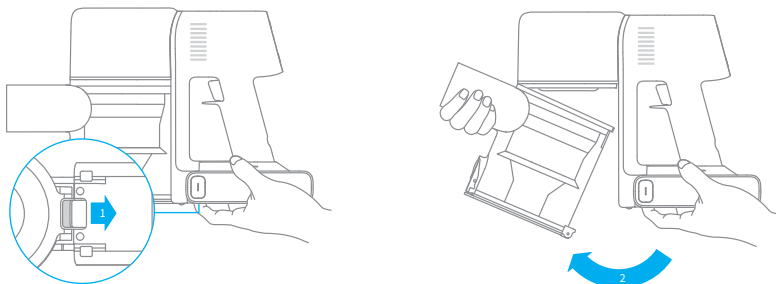
Если контейнер для пыли заполнен до отметки "MAX", эффективность работы пылесоса может значительно снизиться. Для оптимальной работы своевременно очищайте контейнер для пыли. Перед очисткой контейнера убедитесь, что пылесос отключен от розетки, и не нажимайте кнопку "Пуск".

Уход и ремонт

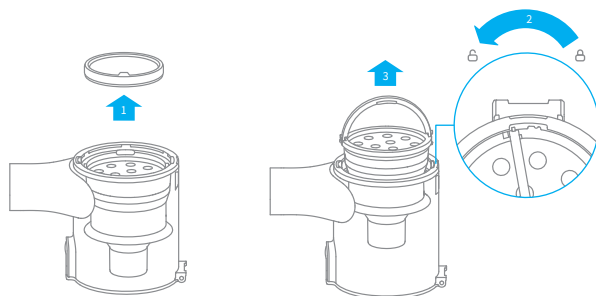
1. Нажмите кнопку снятия нижней крышки контейнера для пыли в направлении, обозначенном стрелкой, а затем откройте крышку и извлеките содержимое контейнера.



2. Нажмите кнопку извлечения контейнера для пыли в направлении, обозначенном стрелкой, как показано на Рис.1, а затем извлеките контейнер для пыли из пылесоса, как на Рис.2.

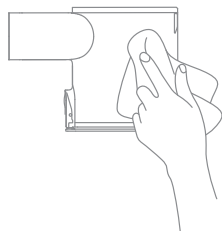


3. Сначала снимите фильтр предварительной очистки, поверните ручку циклонного блока против часовой стрелки до упора, а затем извлеките циклонный блок.



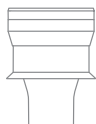
Уход и ремонт

4. Протирайте контейнер для пыли тщательно выжатой влажной тряпкой.



Контейнер для пыли содержит электрические компоненты. Запрещено промывать контейнер водой!

5. Тщательно промойте фильтр предварительной очистки и циклонный блок, а затем отложите минимум на 24 часа для полной просушки.



Циклонный блок

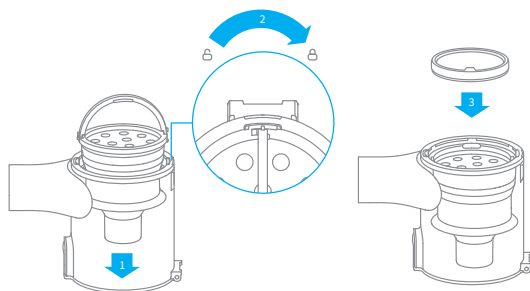


Фильтр предварительной очистки

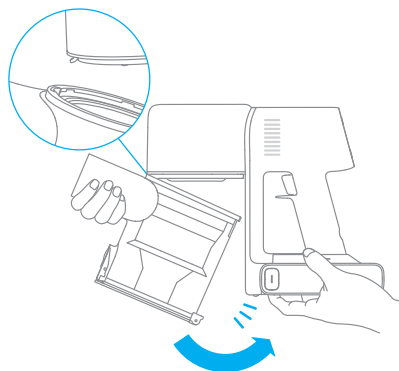
Примечание. Рекомендуется очищать фильтр предварительной уборки не реже одного раза в 3 месяца, а циклонный блок — не реже одного раза в 6 месяцев.

Установка контейнера для пыли, фильтра предварительной очистки и циклонного блока

1. Вставьте циклонный блок вертикально в контейнер для пыли так, чтобы ручка циклонного блока соединилась с отверстием на левой стенке контейнера для пыли. Поверните ручку по часовой стрелке до упора, а затем опустите ее.
2. Вставьте фильтр предварительной очистки в циклонный блок передней стороной вверх.



3. Слегка наклоните контейнер для пыли, чтобы его отверстие соединилось с фиксатором на пылесосе. Затем осторожно нажмите на контейнер в направлении, обозначенном стрелкой, до щелчка, чтобы завершить установку.

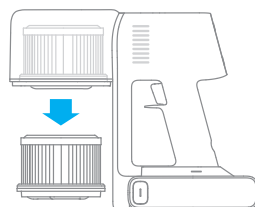
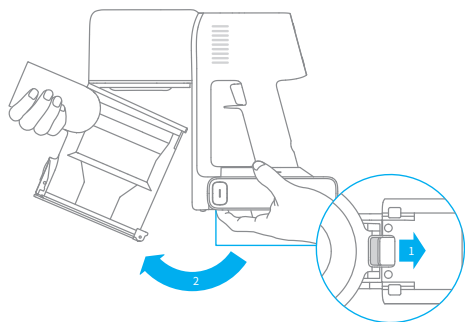


Очистка фильтра HEPA

Рекомендуется очищать фильтр HEPA каждые 4–6 месяцев.

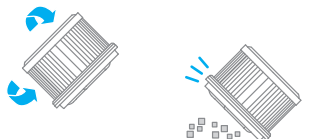
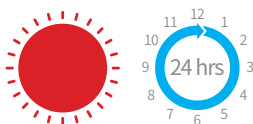
1. Извлеките контейнер для пыли так, как показано на рисунке.

2. Достаньте фильтр HEPA из пылесоса движением вниз, как показано на рисунке.



3. Промойте фильтр HEPA чистой водой, поворачивая фильтр на 360°, чтобы полностью удалить накопившуюся в нем пыль. Несколько раз слегка постучите по фильтру, чтобы убрать избыток грязи.

4. Просушите фильтр HEPA в течение как минимум 24 часов.

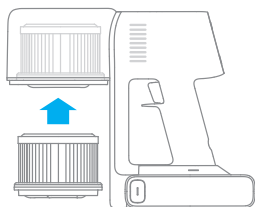


Примечание.

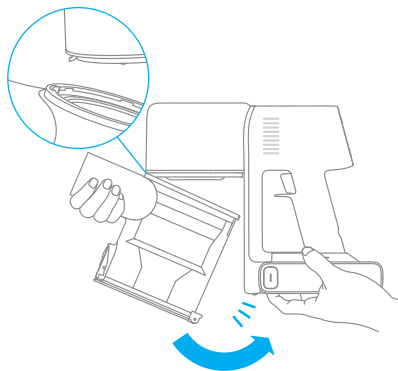
- Промывайте фильтр только чистой водой. Не используйте чистящие средства.
- Не очищайте фильтр HEPA щеткой или пальцами.

Установка фильтра HEPA

1. Вставьте фильтр HEPA в пылесос и слегка нажмите на него, как показано на рисунке.

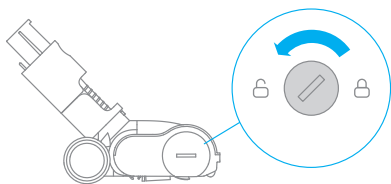


2. Установите контейнер для пыли на место.

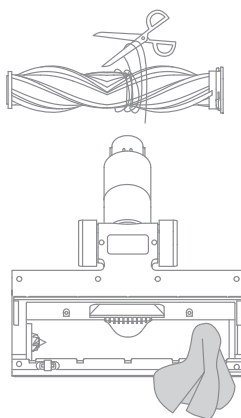


Очистка "умной" многофункциональной щетки

1. Поверните фиксатор против часовой стрелки до упора, а затем снимите роликовую щетку с "умной" многофункциональной щетки.



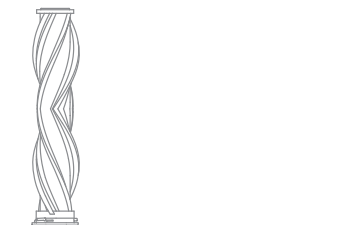
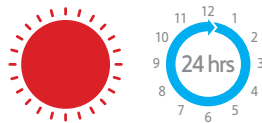
2. Вырежьте волосы и другие волосистые предметы, запутавшиеся в роликовой щетке, с помощью ножниц и выбросьте. Удалите пыль с отверстия и прозрачной крышки с помощью сухой тряпки или бумажного полотенца, а затем просушите и установите на место.



3. При наличии загрязнений промойте головку щетки чистой водой до полной очистки.



4. После промывки тщательно высушите роликовую щетку в вертикальном положении в хорошо проветриваемом месте как минимум в течение 24 часов.

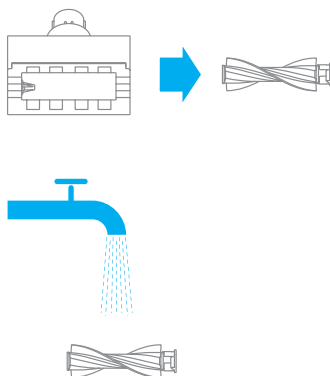


Очистка электрической мини-щеточки

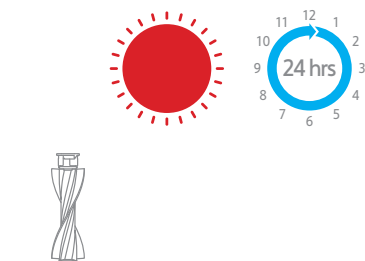
1. С помощью монетки поверните замок против часовой стрелки до щелчка.



2. После разблокировки снимите ролик с насадки с щетки, а затем промойте и прочистите.



3. После промывки тщательно высушите ролик с щеткой в вертикальном положении в хорошо проветриваемом месте как минимум в течение 24 часов.



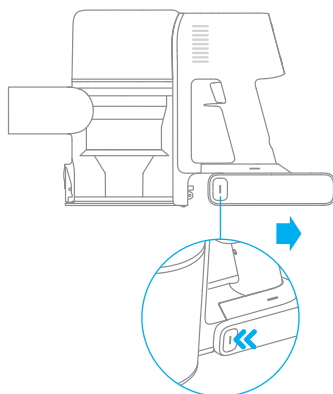
4. После просушки установите ролик с щеткой на место, выполнив все этапы разборки в обратном порядке.



Аккумулятор

Пылесос содержит съемный литий-ионный аккумулятор с ограниченным количеством циклов зарядки. После продолжительного использования аккумулятор может перестать держать заряд. Это означает, что срок службы аккумулятора подошел к концу и его требуется заменить.

1. Нажмите кнопку снятия аккумулятора и сдвиньте аккумулятор вправо, как показано на рисунке, чтобы снять его.
2. Вставьте новый аккумулятор.



Вакуумный пылесос			
Модель	VTT1	Напряжение при зарядке	34 В ===
Номинальная мощность	550 Вт	Номинальное напряжение	29,6 В ===
Время зарядки	Около 4 ч.	Емкость батареи	2900 мА·ч (Расчетная емкость)
"Умная" многофункциональная щетка			
Модель	ASF5		
Номинальная мощность	40 Вт	Номинальное напряжение	29,6 В ===
Электрическая мини-щетка			
Модель	VPA3		
Номинальная мощность	20 Вт	Номинальное напряжение	29,6 В ===
Электрическая мини-щетка			
Модель	ZD024M340090EU/ZD024M340090AU		
Вход	100–240 В~ 50/60 Гц 0,8 А	Выход	34 В === 0,9 А
Перезаряжаемый литий-ионный аккумулятор			
Модель	P2033-8S1P-PAА	Емкость батареи	2900 мА·ч (Расчетная емкость)
Расчетное напряжение	29,6 В ===	Энергия	81,4 Вт·ч

Литий-ионный аккумулятор содержит вещества, представляющие опасность для окружающей среды. Перед утилизацией пылесоса сначала выньте аккумулятор и утилизируйте или сдайте его на переработку в соответствии с местными законами и правилами страны или региона эксплуатации.

Вопросы и ответы

Если пылесос перестал работать в нормальном режиме, см. таблицу устранения неисправностей ниже.

Неисправность	Возможная причина	Решение
Пылесос не работает.	Пылесос разрядился или недостаточный заряд аккумулятора.	Полностью зарядите пылесос, а затем продолжите использование.
	В результате засорения автоматически включился режим защиты от перегрева.	Подождите, пока пылесос остынет, а затем заново включите его.
	Отверстие для всасывания или воздушное отверстие засорилось.	Очистите отверстие для всасывания или воздушное отверстие от загрязнений.
Сила всасывания снизилась.	Заполнен контейнер для пыли и/или засорен фильтр.	Очистите контейнер для пыли и очистите блок фильтра HEPA.
	Аксессуар засорился.	Очистите аксессуар от загрязнений.
Посторонние шумы в двигателе.	Засорение основного всасывающего отверстия или углеволоконной трубки.	Удалите посторонние предметы из основного всасывающего отверстия или углеволоконной трубки.
Во время зарядки пылесоса индикатор заряда не горит.	Зарядное устройство не подключено к пылесосу.	Убедитесь, что зарядное устройство подключено правильно.
	Аккумулятор полностью заряжен и перешел в спящий режим.	Пылесос готов к использованию.
	Если после устранения обоих указанных выше ситуаций проблема по-прежнему не устранена.	обратитесь в отдел послепродажного обслуживания компании для проведения ремонта.
Медленная зарядка аккумулятора.	Слишком низкая или слишком высокая температура аккумулятора.	Подождите, пока температура аккумулятора нормализуется, а затем продолжите использование.

Устранение неисправностей

Примечание. В случае неисправности работы пылесоса на дисплее появится информация о проблеме. Внимательно прочитайте указанную информацию и изучите таблицу неисправностей для ее устранения.

Значок неисправности	Предупреждение о неисправности	Решения
	Перегрев батареи	Подождите, пока температура аккумулятора нормализуется, а затем продолжите использование.
	Щетка-валик застряла	Обратитесь к руководству по обслуживанию [раздел "Очистка "умной" многофункциональной щетки"] для очистки волос и других загрязнений с роликовой щетки.
	Засорение воздушного отверстия	Проверьте контейнер для пыли, углеволоконную трубку и «умную» многофункциональную щетку на наличие засорений
	Неисправность	Обратитесь в отдел послепродажного обслуживания для устранения неполадки.
	Низкий заряд батареи	Как можно скорее зарядите аккумулятор.
	Батарея израсходована	Как можно скорее зарядите аккумулятор.
	Расход фильтра подходит к концу	Своевременно производите замену фильтра.
	Фильтр не установлен	Убедитесь, что HEPA-фильтр и фильтр предварительной очистки правильно установлены.
	Заменить фильтр	Своевременно производите замену фильтра. После замены фильтра удерживайте кнопку  в течение 1,5 сек., перейдите в интерфейс обратного отсчета времени перезагрузки фильтра. Удерживайте кнопку в течение 5 сек. до тех пор, пока на дисплее не появится значок  . Перезагрузка фильтра выполнена. 

Информация об утилизации и переработке отходов электрического и электронного оборудования



Все изделия с символом отдельного сбора отработанного электрического и электронного оборудования (Директива WEEE 2012/19/EU) следует утилизировать отдельно от несортируемых бытовых отходов. С целью охраны здоровья и защиты окружающей среды такое оборудование необходимо сдавать на переработку в специальные пункты приема электрического и электронного оборудования, определенные правительством или местными органами власти. Правильная утилизация и переработка помогут предотвратить возможные негативные последствия для окружающей среды и здоровья человека. Для получения информации о местонахождении и порядке приема устройств в пунктах приема обратитесь в компанию, занимающуюся установкой оборудования, или в местные органы власти.

Dreame — сокращённое название китайской компании Dreame Technology Co., Ltd. и её дочерних предприятий. Dreame является транслитерацией названия компании на китайском языке «追觅», в котором отражено корпоративное видение компании в сфере науки и технологий — непрерывный поиск, исследования и стремление к успеху.

Изготовитель: Dreame Trading (Tianjin) Co., Ltd.

Адрес: Адрес: Room 2112-1-1, South District, Finance and Trade Center, No.6975 Yazhou Road, Dongjiang Bonded Port Area, Tianjin Pilot Free Trade Zone, Tianjin, China

Импортер: ООО «Марвел КТ»

Адрес импортера: 107061, г. Москва, Преображенская пл., д.8, ЭТАЖ 27 - ПОМ. LXXXVI



Made in China

VTT1-RU-R00